



# SPLIT AIR Conditioner NORD V1

## Features

- Outdoor unit heater (heating belt)
- Low temperature heating
- Energy class A+++
- High efficiency DC Inverter split
- Remote control
- WIFI module (USB)
- Healthy filters
- 4D airflow
- Gentle cool wind
- Self cleaning/56°C high temp
- Anti-Cold Air
- Auto mode
- 6-fan speed
- I feel mode
- Intelligent defrost
- Children lock
- Eco mode



Mobile App (TUYA standard):





# SPLIT AIR Conditioner NORD V1

## Specification:

		NORD 09K WIFI V1	NORD 12K WIFI V1	NORD 18K WIFI V1	
Type		heating pump	heating pump	heating pump	
Control type		remote controller	remote controller	remote controller	
Declared cooling capacity	W	2610(940~3700)	3510(1000~4600)	5100(1250-5920)	
Declared heating capacity	W	3000(940~4000)	3800(1000~4900)	5800(1250-6690)	
Pdesignc	W	2600	3500	5100	
SEER declared	W/W	8,5	8,5	8,5	
Energy Class		A+++	A+++	A+++	
Pdesignh Average	W	2400	2600	4500	
SCOP Average declared	W/W	4,6	4,6	4,6	
Energy Class(Average)		A++	A++	A++	
Declare capacity(-10°C)	W	2300	2400	4000	
Back up heating capacity(-10°C)	W	100	200	500	
Pdesignh warmer	W	2500	3300	5200	
SCOP Warmer declared	W/W	5,6	5,6	5,1	
Energy Class(Warmer)		A+++	A+++	A+++	
Declare capacity(2°C)	W	2500	3300	5200	
Back up heating capacity(2°C)	W	0	0	0	
Pdesignh colder	W	2700	3500	5100	
SCOP Colder declared	W/W	3,4	3,4	3,4	
Energy Class(Colder)		A	A	A	
Annual energy consumption	Cooling	kwh/a	108	145	210
	Average	kwh/a	731	792	1370
	Warmer	kwh/a	625	825	1428
	Colder	kwh/a	1668	2162	3150
Indoor sound power(S/H/M/L/Mute)	dB(A)	52/48/43/37/31	53/48/43/38/32	57/54/50/45/40	
Outdoor sound power	dB(A)	61	63	64	
Indoor sound pressure(S/H/M/L/Mute)	dB(A)	42/38/33/27/21	43/38/33/29/22	47/42/38//32/28	
Outdoor sound pressure	dB(A)	51	53	54	
<b>Electrical Data</b>					
Power supply		220-240V~/50Hz/1P	220-240V~/50Hz/1P	220-240V~/50Hz/1P	
Power supply side		Outdoor	Outdoor	Outdoor	
Voltage Range		V	165~265	165~265	
Operating current	Cooling	A	3,3(1.2~8.1)	4.6(1.5~9.2)	5.6(1.7~12.0)
	Heating	A	3,7(1.2~9.0)	4.4(1.5~10.0)	5.9(1.7~13.0)
Power consumption	Cooling	W	699(240~1380)	1000(290~1510)	1260(330-2350)
	Heating	W	740(240~1552)	970(290~1730)	1330(340-2540)



# SPLIT AIR Conditioner NORD V1

Refrigerating System					
Refrigerant type/Charge/GWP/CO2 equivalent			R32/0.45kg/675/0.304tonnes	R32/0.63kg/675/0.426tonnes	R32/1.14kg/675/0.770tonnes
Compressor	Type		Rotary	Rotary	Rotary
Indoor air circulation Cooling/heating		m <sup>3</sup> /h	560/560	670/670	1000/1000
Indoor fan speed S/H/M/L/Mute	Cooling	rpm	1250/1080/920/800/700	1250/1100/850/750/650	1220/1130/990/850/750
	Heating	rpm	1150/1100/1000/900/850	1250/1100/920/800/750	1130/1070/970/870/800
	Dry	rpm	800	750	850
	Sleep	rpm	/	/	/
Outdoor air circulation		m <sup>3</sup> /h	2200	2200	3000
Outdoor fan speed(S/H/M/L/Mute)		rpm	Cooling: 900/810/730/610/450 Heating:910/910/730/610/450	Cooling:900/870/830/670/650 Heating:910/910/850/770/650	Cooling:910 /790/690/610/550 Heating:910/810/690/610/550
Connections					
Connecting Wiring	Core x Size		5×1.0mm <sup>2</sup>	5×1.0mm <sup>2</sup>	5×1.0mm <sup>2</sup>
Expansion device			EEV	EEV	EEV
Connecting Pipe	Gas	Inches	3/8"	3/8"	1/2"
	Liquid	Inches	1/4"	1/4"	1/4"
Others					
Max. refrigerant pipe length		m	25	25	25
Max. difference in level		m	10	10	10
Operation temperature range		°C	16-31	16-31	16-31
Ambient temperature range	Outdoor	°C	Cooling:-15-53/Heating:-25-30	Cooling:-15-53/Heating:-25-30	Cooling:-15-53/Heating:-25-30
	Indoor	°C	Cooling:17-32/Heating:0-30	Cooling:17-32/Heating:0-30	Cooling:17-32/Heating:0-30
Net weight	Indoor	kg	8,5	9,5	13
	Outdoor	kg	23	25	37

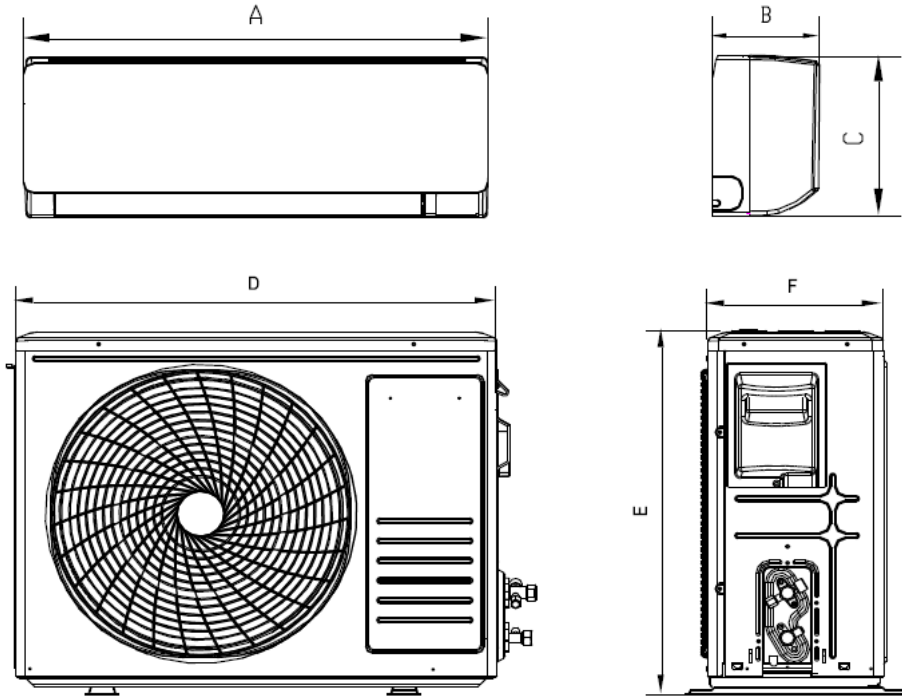
## Dimmensions:

	A	B	C	D	E	F
NORD 09K WIFI V1	790mm	192mm	275mm	795mm	549mm	305mm
NORD 12K WIFI V1	820mm	195mm	306mm			
NORD 18K WIFI V1	1100mm	222mm	333mm	920mm	699mm	380mm



# SPLIT AIR Conditioner NORD V1

## Technical drawing:



## Efficiency labels:

